

Sicit

Sicit

Crociere Cardaniche per alberi di trasmissione
Universal Joints for cardan shafts

Sicit

Our background

SICIT started its business in 1975 as the natural evolution of an artisan firm that had been constructing joint crosses since 1953.

The high level qualification required by the market and by leading customers has spurred SICIT to apply product certification methods complying with ISO 900 standards.

SICIT's business approach, backed by experience acquired on international market, aims to anticipate the objectives that represent the challenges of the year 2017.

Organization

SICIT's organization is based on the cooperation of personnel with firmly-entrenched experience at managerial level.

One of the main strong points of the extremely flexible organization is close cooperation between various management, sales and production sectors.

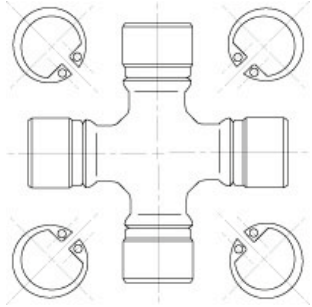
Business

SICIT produces joint crosses adaptable to leading European brands in the truck sector.

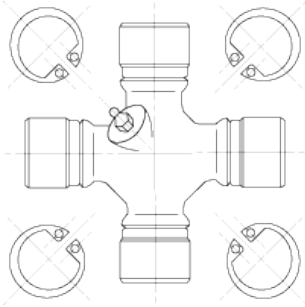
Far-reaching investments in machinery and state-of-the-art technology have fostered expansion of production, improved organization and development of new markets.

All the processes carried out on the material are strictly controlled and supported by documentation.

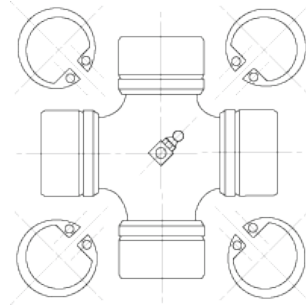
UNIVERSAL JOINTS (commercial vehicles and trucks)



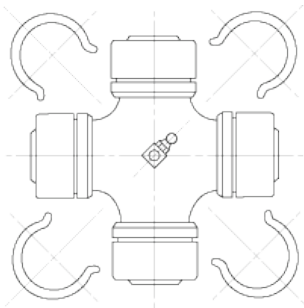
**Fig. 1 External locking –
long life bearing**



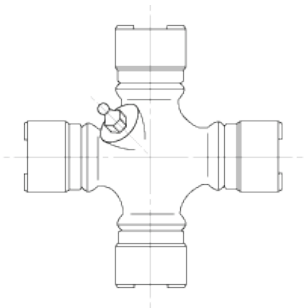
**Fig. 2 External locking –
side grease nipple**



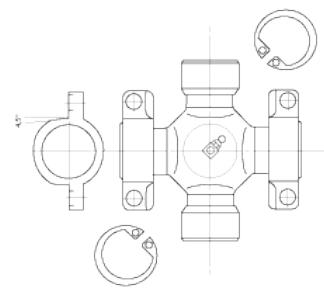
**Fig.3 External locking –
central grease nipple**



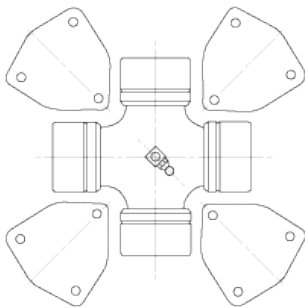
**Fig. 4 Internal locking –
central grease nipple**



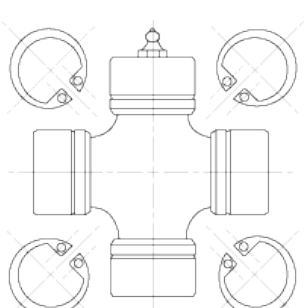
**Fig. 5 Backplates –
lateral grease nipple**



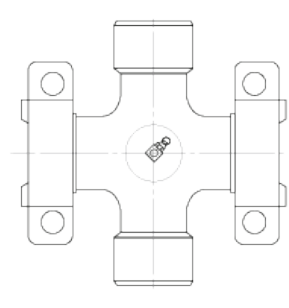
**Fig. 6 External locking - central
grease nipple - Scania type**



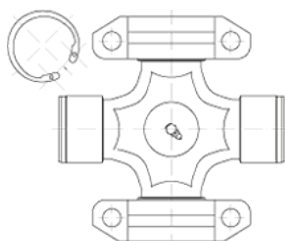
**Fig. 7 External locking with plate
and bolts- central grease nipple -
Volvo type**



**Fig. 8 External locking –
grease nipple on bearing**



**Fig. 9 External locking –
Threaded brackets holes –
central grease nipple - Scania type**



**Fig. 10 External locking –
central grease nipple - Scania Telma type**

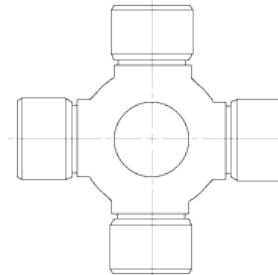


Fig. 11 staked

COMMERCIAL VEHICLE AND TRUKS

All our joints are supplied with INA bearing cups. Versions with other bearings are listed in detail.

DIAM.	LENGHT	SICIT CODE	DESCRIPTION	OEM-OTHERS REFERENCES	FIG.	ULT – U.Joint life torque capacity [Nm]	TFAT – Reversing dynamic/fatigue torque [Nm]	FT – Functional limit torque [Nm]
19,00	48,00	ST4020	STAKED	GMB ST1948	3-11			
19,00	55,70	ST1955	STAKED	DACIA DUSTER	11			
24,00	56,50	ST1300	STAKED	BMW	11			
24,00	62,50	ST1310	STAKED	NISSAN X-TRAIL/QASHQAI	11			
24,00	64,20	ST1320	STAKED	NISSAN SERENA	11	450	900	1.170
24,00	74,40	ST1330	STAKED	MERCEDES VITO/MIANO U 728/4	11			
24,00	88,00	ST1340	STAKED	MERCEDES CL	11			
27,00	71,00	1180.10/MOD	LUBE FOR LIFE	BTB 310	1			
27,00	71,00	1180/MOD-IC	VARIOUS APPLICATION- Available with one or more drilled bearing cups	BTB 310	3			
27,00	71,00	ST1170	STAKED	FORD TRANSIT	11			
27,00	74,50	ST1180	STAKED	MERCEDES SPRINTER - U998	11			
27,00	74,50	1270	Available with one or more drilled bearing cups	FIAT-IVECO DAILY-GWB 687.15	3	520	900	1.352
27,00	74,50	1270.10	LUBE FOR LIFE	GWB 687.15	1			
27,00	74,50	20150	COMPACT 2015 - Available with one or more drilled bearing cups	UCNR 18387 - GWB 687.15	3			
27,00	74,50	20150.10	LUBE FOR LIFE - COMPACT 2015	UCNR 18871 - GWB 687.15	1			
27,00	74,60	1180	SIDE GREASE NIPPLE - Available with one or more drilled bearing cups	FIAT 1400/615-U110-1300	2			
27,00	80,00	ST1210	STAKED	VOLKSWAGEN	11			
27,00	80,00	1360/MOD	SIDE GREASE NIPPLE - Available with one or more drilled bearing cups.	HYUNDAI-GMB	2			
27,00	81,70	1370/1FOR	GREASE NIPPLE ON CUP		3			
27,00	81,70	1370.10	LUBE FOR LIFE	IVECO GRINTA/DAILY	1			
27,00	81,75	1360	Available with one or more drilled bearing cups	FIAT-SAE 13.10-ROBER	2			
27,00	88,00	ST1190	STAKED	MERCEDES NEW SPRINTER	11			

COMMERCIAL VEHICLE AND TRUKS

All our joints are supplied with INA bearing cups. Versions with other bearings are listed in detail.

DIAM.	LENGHT	SICIT CODE	DESCRIPTION	OEM-OTHERS REFERENCES	FIG.	ULT – U.Joint life torque capacity [Nm]	TFAT – Reversing dynamic/fatigue torque [Nm]	FT – Functional limit torque [Nm]
30,00	81,80	2200	Available with one or more drilled bearing cups	GWB 287.10	3	640	1.000	1.664
30,00	81,80	2200.10	LUBE FOR LIFE		1			
30,00	82,40	2210	VARIOUS APPLICATIONS - Available with one or more drilled bearing cups.		3			
30,00	82,40	2210.10	LUBE FOR LIFE		1			
30,00	83,00	5420	Available with one or more drilled bearing cups	ELBE	3			
30,17	106,30	2300	Available with one or more drilled bearing cups	IVECO-U 200	2			
30,18	81,80	20200	COMPACT 2020 - Available with one or more drilled bearing cups	UCNR 17450 - GWB 687.20	3			
30,20	81,80/82	1500	CENTRAL GREASE NIPPLE - Available with one or more drilled bearing cups	GWB 687.20-MB 6204100131	3	660	1.100	1.716
30,20	81,80/82	1500.10	LUBE FOR LIFE		1			
30,20	92,00	4090	SIDE GREASE NIPPLE- Available with one or more drilled bearing cups	40.10W VAN(4X4)-U220-1350	2			
30,20	92,00	4090/IC	CENTRAL GREASE NIPPLE - Available with one or more drilled bearing cups.	40.10W VAN(4X4)	3			
30,20	106,30	1280		IVECO 79.10-VOLVO F82-F420-GKN 1410	2			
31,00	88,20	ST2240	STAKED - 1 GREASE NIPPLE ON CUP	U 325-17173	8/11			
31,00	88,20	ST2240.10	STAKED	U 325-17173	11			
31,00	110,00	2230	Available with one or more drilled bearing cups	DAIMLER CHRYSLER ATENGO-IVECO	3			
31,00	110,00	2230.10		DAIMLER CHRYSLER ATENGO-IVECO	1			
34,92	92,20	2890	Available with one or more drilled bearing cups	IVECO-GWB 687.25	3	1.200	2.100	3.120
34,92	92,20	20250	COMPACT 20225 - Available with one or more drilled bearing cups	UCNR 18217 - GWB 687.25	3			
34,92	92,20	20250.10	COMPACT 20225	UCNR 18572 - GWB 687.25	1			
34,92	106,40	2880	Available with one or more drilled bearing cups	IVECO EUROCARGO-GWB 687.30-U 917 - COMPACT 2030	3			
34,92	106,40	2880.10		GWB 687.30 - COMPACT 2030	3			
34,92	106,40	20300	COMPACT 2030	UCNR 17412 - GWB 687.30	3			
34,92	106,40	20300.10	COMPACT 2030	UCNR 18573 - GWB 687.30	1			

COMMERCIAL VEHICLE AND TRUKS

All our joints are supplied with INA bearing cups. Versions with other bearings are listed in detail.

DIAM.	LENGHT	SICIT CODE	DESCRIPTION	OEM-OTHERS REFERENCES	FIG.	ULT – U.Joint life torque capacity [Nm]	TFAT – Reversing dynamic/fatigue torque [Nm]	FT – Functional limit torque [Nm]
34,92	126,00	5060	VARIOUS APPLICATIONS - Available with one or more drilled bearing cups	U952 SP1550	2			
35,00	96,80	2220	AVAILABLE WITH ONE OR MORE DRILLED BEARING CUPS	MAGIRUS-GWB 587.10-287.20	3	950	2.000	2.470
35,00	96,80	2220.10	LUBE FOR LIFE	GWB 587.10-287.20	1			
35,00	106,40	2870.10	LUBE FOR LIFE	IVECO	1	1.200	2.100	3.120
38,00	57,00	2100		MERCEDES 3854100241/U730	4			
38,00	104,50	1930/MOD	VARIOUS APPLICATIONS - 587.12	587.12	3			
38,00	105,80	1910	AVAILABLE ALSO WITH SKF BEARING CUP - Available with one or more drilled bearing cups	MAN 81392006005-DAF 1800DT4X4-GWB 387.20	3			
38,00	105,80	1910.10X/SKF	LUBE FOR LIFE - Available with one or more drilled bearing cups		1			
38,00	106,00	1930	AVAILABLE ALSO WITH SKF BEARING CUP- Available with one or more drilled bearing cups	ELBE 113	3			
38,00	106,00	1930.10X/SKF	AVAILABLE WITH ONE OR MORE DRILLED BEARING CUPS	ELBE 113	1			
38,00	110,00	1920	CENTRAL GREASE NIPPLE- Available also with SKF BEARING CUP- Available with one or more drilled bearing cups	IVECO 93192007-UNIMOG-MAN L2000-U365	3			
38,00	110,00	1920.10X/SKF	LUBE FOR LIFE - Available with one or more drilled bearing cups		1			
38,00	148,00	1860	TWO 90° BRACKETS - Available with one or more drilled bearing cups	SCANIA	6			
38,00	148,00	1870/C	TWO 4.5° BRACKETS - Available with one or more drilled bearing cups	SCANIA P30-300	6			
38,00	148,00	1870.10X/CSKF	TWO 4.5° BRACKETS - Available with one or more drilled bearing cups	SCANIA - U840	1/6			
39,00	116,40	1020	CROCIERA TP. 650 S/TAGLIO	FIAT	2			
39,67	115,79	1140	CROCIERA TP. 300 PC.	IVECO 300PC/180 NC-U350-H 1510	2			
39,67	116,02	2520	LATERAL GREASE NIPPLE	IVECO COMPACT	2			
39,67	116,02	2520/IC	CENTRAL GREASE NIPPLE	IVECO COMPACT	3			
39,70	115,90	2420		VOLVO F84-F465-F609	2			
42,00	66,40	2060		MERCEDES 3854100131/U747	4			

COMMERCIAL VEHICLE AND TRUKS

All our joints are supplied with INA bearing cups. Versions with other bearings are listed in detail.

DIAM.	LENGHT	SICIT CODE	DESCRIPTION	OEM-OTHERS REFERENCES	FIG.	ULT – U.Joint life torque capacity [Nm]	TFAT – Reversing dynamic/fatigue torque [Nm]	FT – Functional limit torque [Nm]
42,00	104,50	2380	AVAILABLE ALSO WITH SKF BEARING CUP- Available with one or more drilled bearing cups	IVECO 330 - GWB 587.15 - U980/5	3	1.800	3.000	4.680
42,00	104,50	2380.10		IVECO 330D - GWB 587.15	1			
42,00	104,50	2380.10X/SKF	Available only with SKF bearing cup	IVECO 330 D	1			
42,00	106,00	2390	AVAILABLE ALSO WITH SKF BEARING CUP- Available with one or more drilled bearing cups	MERCEDES 617 410 0031 - U534 (SKF)	3			
42,00	106,00	2390.10	LUBE FOR LIFE	MERCEDES 617 410 0032	1			
42,00	106,00	2390.10X/SKF	LUBE FOR LIFE - Available only with SKF bearing cup	MERCEDES 617 410 0032	1			
42,00	117,50	2050	CENTRAL GREASE NIPPLE OR ON CUP	ELBE	3	2.100	3.100	5.460
42,00	119,40	2680	Available also with SKF bearing cup	IVECO/EUROCARGO-VOLVO-GWB 687.35-2035-GWB 687.35-20358	3			
42,00	119,40	2680.10	LUBE FOR LIFE	IVECO/EUROCARGO-VOLVO-GWB 687.35-2035-GWB 687.35-U993	1			
42,00	119,40	2680.10X/SKF	LUBE FOR LIFE - Available only with SKF bearing cup	EUROCARGO-2035-GWB 687.35-U933	1			
42,00	123,00	2690	VARIOUS APPLICATIONS- Available also with SKF BEARING CUP- Available with one or more drilled bearing cups		3			
44,00	126,20	2440	KIT WITH PLATES AND BOLTS - suitable to VOLVO F7-F86-F89-U380	VOLVO 232458/ F7-F86-F89-U380	7			
44,00	149,00	2140		SCANIA U384	2	2900	4.800	7.540
45,00	120,45	1420		MERCEDES-3314100031/U753-U932	3			
45,00	131,00	2290	VARIOUS APPLICATIONS	ELBE 116	3			
47,64	135,00	2460		VOLVO F87-N86-N88	2			
47,64	135,00	1400		FIAT 150-159-BUS 421 IVECO 130-140-160	2			
47,68	135,20	2660	COMPACT 2040 - Available with one or more drilled bearing cups	IVECO-EUROCARGO-GWB 687.40-U965-MAN 81.39108-6050	3			
47,68	135,20	2660.10X		IVECO-EUROCARGO-GWB 687.40	1			
48,00	116,50	1760	AVAILABLE ALSO WITH SKF BEARING CUP- Available with one or more drilled bearing cups	IVECO 330-190-260/FIAT BUS 470/GWB 587.20-U767	3	3.000	5.000	7.800

COMMERCIAL VEHICLE AND TRUKS

All our joints are supplied with INA bearing cups. Versions with other bearings are listed in detail.

DIAM.	LENGHT	SICIT CODE	DESCRIPTION	OEM-OTHERS REFERENCES	FIG.	ULT – U.Joint life torque capacity [Nm]	TFAT – Reversing dynamic/fatigue torque [Nm]	FT – Functional limit torque [Nm]
48,00	116,50	1760.10	LUBE FOR LIFE	IVECO 330GWB 587.20	1			
48,00	116,50	1760.10X/SKF	LUBE FOR LIFE - Available only with SKF bearing cup	IVECO 330-GWB 587.20	1			
48,00	126,00	2320	AVAILABLE ALSO WITH SKF BEARING CUP- Available with one or more drilled bearing cups	MERCEDES 3814100231 - U765	3	3.000	5.000	7.800
48,00	126,00	2320.10	LUBE FOR LIFE	MERCEDES	1			
48,00	126,00	2320.10X/SKF	LUBE FOR LIFE - Available only with SKF bearing cup	MERCEDES U930	1			
48,00	131,20	2280	AVAILABLE ALSO WITH SKF BEARING CUP - Available with one or more drilled bearing cups	BUS DENNIS 75/0405-KEMPF	3			
48,00	135,40	1780	AVAILABLE ALSO WITH SKF BEARING CUP - Available with one or more drilled bearing cups	IVECO 93192015-MAN-DAF 81391266033	3	3.200	6.400	8.320
48,00	135,40	1780.10	LUBE FOR LIFE	IVECO	1			
48,00	161,00	1820	TWO 90° BRACKETS - Available also with SKF bearing cup	SCANIA	6			
48,00	161,00	1830/C	TWO 4.5° BRACKETS - Available also with SKF bearing cup	SCANIA P40 - P400 - P410 - P420 - U950	6			
48,00	161,00	1830/TELMA	TWO 4.5° BRACKETS - Available also with SKF bearing cup	SCANIA-TELMA	10			
48,00	161,00	1830/F	TWO 4.5° BRACKETS WITH THREADED HOLES - Available also with SKF bearing cup	SCANIA	9			
48,00	161,00	1830/FSKF	TWO 4.5° BRACKETS WITH THREADED HOLES - Available also with SKF bearing cup	SCANIA	9	3.600	7.400	9.360
48,00	161,00	1830.10/F	TWO 4.5° BRACKETS WITH THREADED HOLES - Available also with SKF bearing cup-LUBE FOR LIFE	SCANIA	1			
48,00	161,00	1830.10/C	LUBE FOR LIFE -TWO 4.5° BRACKETS	SCANIA 365901	1/6			
48,00	161,00	1830.10X/CSKF	LUBE FOR LIFE -TWO 4.5° BRACKETS - Available only with SKF bearing cup	SCANIA	1/6			
48,00	161,00	1831	VARIOUS APPLICATION - Available also with SKF bearing cup	U 948	3			
49,00	135,00	1000		FIAT 642 TRASMISSION	5			
49,00	155,00	1040		FIAT 682 TRASMISSION	5			
49,22	154,68	1120		FIAT 697 TRASMISSION - RENAULT	5			

COMMERCIAL VEHICLE AND TRUKS

All our joints are supplied with INA bearing cups. Versions with other bearings are listed in detail.

DIAM.	LENGHT	SICIT CODE	DESCRIPTION	OEM-OTHERS REFERENCES	FIG.	ULT – U.Joint life torque capacity [Nm]	TFAT – Reversing dynamic/fatigue torque [Nm]	FT – Functional limit torque [Nm]
49,25	154,93	2340	SIDE GREASE NIPPLE	FIAT COMPACT	2			
49,25	154,93	2340/IC	CENTRAL GREASE NIPPLE	FIAT COMPACT-GWB 687.50	3			
50,00	152,60	2080		SCANIA - GWB 287.40	2			
50,00	152,60	2480	KIT WITH PLATES AND BOLTS	VOLVO 1651032/ F10-F12-F88-SERIE 400-NK 400-U381	7			
52,00	133,00	1560	AVAILABLE ALSO WITH SKF BEARING CUP - Available with one or more drilled bearing cups	IVECO-MERCEDES 3314100031 1681,1620,1622,1624-GWB 587.30-U756	3			
52,00	133,00	1560.10	LUB FOR LUBE	MERCEDES	1	3.300	6.500	8.580
52,00	133,00	1560.10X/SKF	LUB FOR LUBE - Available only with SKF bearing cup	MERCEDES	1			
52,00	147,20	2700	AVAILABLE ALSO WITH SKF BEARING CUP - Available with one or more drilled bearing cups	IVECO-EUROTHEC-GWB 687.45-COMPACT 2045-U909	3			
52,00	147,20	2700/SKF	AVAILABLE ALSO WITH SKF BEARING CUP - Available with one or more drilled bearing cups	IVECO-EUROTHEC-GWB 687.45-COMPACT 2045-U909	3	3.800	7.200	9.880
52,00	147,20	2700.10	LUBE FOR LIFE	IVECO/EUROTECH-U934-MAN 81.39126-6030/VOLVO 1068247	1			
52,00	147,20	2700.10X/SKF	LUBE FOR LIFE - Available also with SKF bearing cup	IVECO/EUROTECH-U934	1			
53,00	135,00	1600	AVAILABLE ALSO WITH SKF BEARING CUP - Available with one or more drilled bearing cups	MERCEDES 6204100131/389/286.37-U993-U547	3			
53,00	135,00	1600.10	LUBE FOR LIFE	MERCEDES	1	3.400	6.900	8.840
53,00	135,00	1600.10X/SKF	LUBE FOR LIFE - Available only with SKF bearing cup	MERCEDES-U994	1			
57,00	144,00	1720	AVAILABLE ALSO WITH SKF BEARING CUP- Available with one or more drilled bearing cups	IVECO 190-330-GWB 587.35/36-U813	3			
57,00	144,00	1720.10	LUBE FOR LIFE	IVECO	1	4.000	7.500	10.400
57,00	144,00	1720.10X/SKF	LUBE FOR LIFE - Available only with SKF bearing cup	IVECO	1			
57,00	152,00	1620	AVAILABLE ALSO WITH SKF BEARING CUP- Available with one or more drilled bearing cups	MERCEDES-MAN 3874100031-1924,1524,1525-GWB 587.42	3			
57,00	152,00	1620.10	LUBE FOR LIFE	MERCEDES/VOLC-VOLVO 1068250 GWB 587.42	1	4.600	9.500	11.960
57,00	152,00	1620.10X/SKF	LUBE FOR LIFE - Available only with SKF bearing cup	MERCEDES	1			

COMMERCIAL VEHICLE AND TRUKS

All our joints are supplied with INA bearing cups. Versions with other bearings are listed in detail.

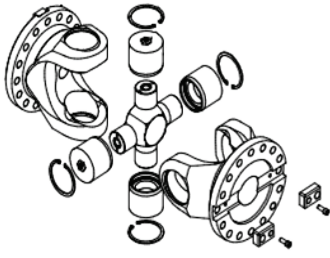
DIAM.	LENGHT	SICIT CODE	DESCRIPTION	OEM-OTHERS REFERENCES	FIG.	ULT – U.Joint life torque capacity [Nm]	TFAT – Reversing dynamic/fatigue torque [Nm]	FT – Functional limit torque [Nm]
57,00	152,00	1630	GREASE NIPPLE ON CUP - Available with one or more drilled bearing cups	MERCEDES-GWB 587.42	8	4.600	9.500	11.960
57,00	152,00	1640	AVAILABLE ALSO WITH SKF BEARING CUP - Available with one or more drilled bearing cups	GWB 687.55-U935 - COMPACT 2055	3			
57,00	152,70	2640	KIT WITH PLATES AND BOLTS - Available also with SKF bearing cup	VOLVO 1651229/ NK500-U990-MAN 81.39374-6003	7	4.000	7.500	10.400
57,00	152,70	2640.10	LUBE FOR LIFE - KIT WITH PLATES AND BOLTS	VOLVO - NK500 - U999	1/7			
57,00	152,70	2640.10X/SKF	LUBE FOR LIFE - KIT WITH PLATES AND BOLTS- Available only with SKF bearing cup	VOLVO	1/7			
57,00	164,00	1840	TWO 90° BRACKETS - Available also with SKF bearing cup	SCANIA	6	5.100	10.500	13.260
57,00	164,00	1850/C	TWO 4,5° BRACKETS - Available also with SKF bearing cup	SCANIA 390225/P50-P500-P510-P520-P540-U954-112M-T114	6			
57,00	164,00	1850/CSKFW	TWO 4,5° BRACKETS - Available also with SKF bearing cup	SCANIA 390225/P50,500-112M-T114	6			
57,00	164,00	1850.10/C	LUBE FOR LIFE - TWO 4.5° BRACKETS	SCANIA	1/6			
57,00	164,00	1850.10X/CSKF	LUBE FOR LIFE - TWO 4.5° BRACKETS - Available only with SKF bearing cup	SCANIA	1/6			
57,00	164,00	1850/F	TWO 4,5° BRACKETS WITH THREADED HOLES - Available also with SKF bearing cup	SCANIA	9			
57,00	164,00	1850/FSKF	TWO 4,5° BRACKETS WITH THREADED HOLES - Available also with SKF bearing cup	SCANIA	9			
57,00	164,00	1850.10/F	TWO 4,5° BRACKETS WITH THREADED HOLES - Available also with SKF bearing cup-lube for life	SCANIA	1			
57,00	164,00	1851	VARIOUS APPLICATION - Available also with SKF bearing cup	U949	1			
57,00	172,00	2620	AVAILABLE ALSO WITH SKF BEARING CUP - Available with one or more drilled bearing cups	IVECO TURBOSTAR-DAF - U920	3			
57,00	172,00	2620.10	LUBE FOR LIFE	IVECO TURBOSTAR-DAF	1			
57,00	172,00	2620.10X/SKF	LUBE FOR LIFE - Available only with SKF bearing cup	IVECO TURBOSTAR-DAF	1	6.500	12.770	16.900
58,98	167,35	1100		FIAT 697 TRASMISSION-92601338 - U956	5			
59,00	167,60	2540		VOLVO 1068253/GWB 687.60- COMPACT 2060	3	6.500	12.770	16.900
59,00	167,60	2540.10	LUBE FOR LIFE	VOLVO 1068253-U936	1			

COMMERCIAL VEHICLE AND TRUKS

All our joints are supplied with INA bearing cups. Versions with other bearings are listed in detail.

DIAM.	LENGHT	SICIT CODE	DESCRIPTION	OEM-OTHERS REFERENCES	FIG.	ULT – U.Joint life torque capacity [Nm]	TFAT – Reversing dynamic/fatigue torque [Nm]	FT – Functional limit torque [Nm]
59,00	167,60	2540.10W/SKF	LUBE FOR LIFE - Available only with SKF bearing cup	VOLVO-U936	1	6.500	12.770	16.900
65,00	172,00	2180	Available also with SKF bearing cup	IVECO TURBOSTAR STRALIS-GWB 587.48,687.65 -2065DAF-MB 6454100131 - U982	3	6.900	13.250	17940
65,00	172,00	2180.10	LUBE FOR LIFE	IVECO TURBOSTAR STRALIS-GWB 587.48,687.65-2065DAF	1			
65,00	172,00	2180.10X/SKF	LUBE FOR LIFE- Available only with SKF bearing cup	IVECO TURBOSTAR STRALIS-GWB 587.48,687.65-2065DAF	1			
65,00	172/190	3020	COMBINED-HOMOKINETC	IVECO TURBOSTAR-SCANIA	3	7.000	15.000	18.200
65,00	190,00	1880	Available also with SKF bearing cup	SCANIA 386073 113-E - P60 - P600 - U924	3			
65,00	190,00	1880.10	LUBE FOR LIFE	SCANIA 1422442 - SCANIA P60 - P600 - U565	1			
65,00	190,00	1880.10X/SKF	LUBE FOR LIFE- Available only with SKF bearing cup	SCANIA	1			
68,00	89,00	1660	Available also with SKF bearing cup	MERCEDES 6564100131/ MB 385.60-U567-U462	4	7.200	15.000	18.720
68,00	89,00	1660.10	LUBE FOR LIFE	MERCEDES 9424100031/ MB 385.60-U992	1/4			
68,00	89,00	1660.10X/SKF	LUBE FOR LIFE	MERCEDES MB 385.60-U992	1/4			
68,00	117,00	1680	Available also with SKF bearing cup	MERCEDES	4	7.000	15.000	18.200
68,00	117,00	1680.10	LUBE FOR LIFE	MERCEDES-U996	1/4			
68,00	117,00	1680.10X/SKF	LUBE FOR LIFE- Available only with SKF bearing cup	MERCEDES-U996	1/4			

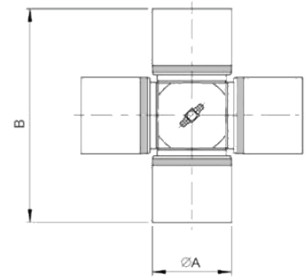
Sicit



HEAVY DUTY UNIVERSAL JOINTS

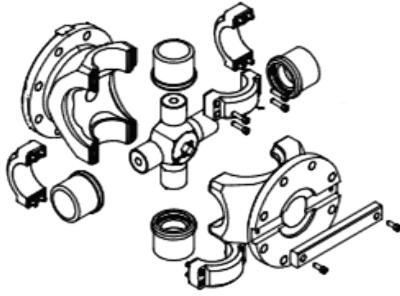
(Closed yoke design)

4 grease nipples on cups or 4 plug screws on bearing cups
with 1 central grease nipple
4 circlip rings.



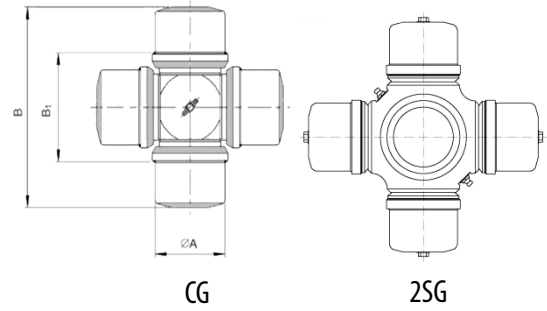
ØA Cup diameter	B Length over both cups (without circlips, excluding accessories)	SICIT CODE	O.E.M. CODE	ULT – U.Joint life torque capacity [Nm]	TFAT – Reversing dynamic/fatigue torque [Nm]	FT – Functional limit torque [Nm]
65,0	157,0	I050	S225.5/SA	6.620	15.000	39.000
65,0	172,0	I065	587.48 / 687.65 / BR 77 / 100	6.840	15.000	39.000
72,0	185,0	I100	587.50 / BR 80	8.000	19.000	49.400
74,0	217,0	I120	587.55 / BR 83	11.790	25.000	65.000
74,0	185,0	I130		11.540	25.000	65.000
74,0	195,0	I140	104 / 106	11.670	25.000	65.000
74,0	179,9	I150	225.9-208.9	11.520	25.000	65.000
74,0	171,0	I200	198.8	11.650	25.000	65.000
83,0	190,0	I210		11.930	25.000	65.000
83,0	195,0	I220	109	13.720	25.000	65.000
83,0	217,0	I230		13.960	25.000	65.000
83,0	220,0	I240	250.9 / 115	13.960	25.000	65.000
83,0	231,4	I260	587.60 / BR 84	14.890	25.800	67.080
83,0	179,9	I270	208.8	10.710	26.000	67.600
95,0	216,0	I330		18.010	35.000	91.000
95,0	219,0	I340	250.8	18.360	35.000	91.000
95,0	250,0	I360	285.9 / 120 / 124	21.940	36.000	93.600
110,0	245,0	I430		25.990	50.000	130.000
110,0	251,5	I440		26.940	50.000	130.000
110,0	243,5	I450	285.8	25.700	50.000	130.000
110,0	275,0	I460	315.9 / 135 / 140	30.380	74.800	194.480
130,0	266,5	I630	315.8	36.440	71.000	184.600
130,0	269,0	I640		36.740	71.000	184.600
130,0	302,0	I650	350.9 / 145	42.820	110.000	286.000
145,0	299,0	I660		48.910	100.000	260.000
145,0	294,3	I670	350.8	47.840	100.000	260.000
145,0	336,5	I680	390.9	57.130	160.000	416.000
145,0	342,0	I690		58.520	160.000	416.000

Sicit



HEAVY DUTY UNIVERSAL JOINTS

(Split yoke design)
4 grease nipples on cups or 4 plug screw
on cups (unless cup Ø120-Ø130)
with 1 central grease nipple (CG)
or 2 side grease nipple (2SG)



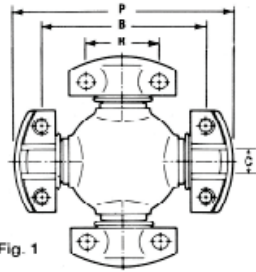
ØA Cup diameter	B1 Length from lip to lip	Lub.	SICIT CODE	O.E.M. CODE	ULT – U.Joint life torque capacity [Nm]	TFAT – Reversing dynamic/fatigue torque [Nm]	FT – Functional limit torque [Nm]
74,0	129,0	CG	I160FL	392.50 / 292.50			
74,0	154,0	CG	I180FL	190.55 / BR 82			
83,0	129,0	CG	I280FL	390.60	15.520	23.000	59.800
83,0	139,0	CG	I300FL	392.55 / 292.55 / BR 85	16.440	36.000	93.600
83,0	175,0	2SG	I320FL	190.60	19.760	17.000	44.200
95,0	139,0	CG	I380FL	390.65	23.050	36.000	93.600
95,0	160,0	CG	I400FL	392.60 / 292.60 / BR 90	26.060	53.000	137.800
95,0	190,0	2SG	I420FL	190.65	29.840	44.216	114.962
110,0	160,0	CG	I480FL	390.70	34.420	53.000	137.800
110,0	176,0	CG	I500FL	392.65 / 292.65 / BR 95	37.060	75.000	195.000
110,0	210,0	2SG	I520FL	190.70	42.670	75.000	195.000
120,0	235,0	2SG	I540FL	190.75	54.320	71.000	184.600
120,0	176,0	CG	I560FL	390.75	43.020	75.000	195.000
120,0	196,0	2SG	I580FL	392.70 / 292.70 / BR 97	47.460	102.000	265.200
130,0	196,0	CG	I600FL	390.80 / BR 98	62.380	102.000	265.200
130,0	216,0	CG	I620FL	393.75 / 292.75	66.040	116.000	301.600
154,0	250,0	CG	I790FL	393.80	96.000	220.000	572.000

UNIVERSAL JOINTS VARIOUS APPLICATIONS AND AGRICULTURE VEHICLES

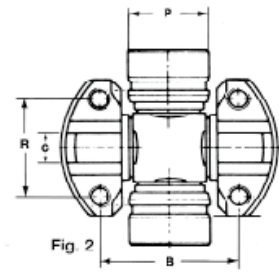
Versions with asterisk are available with one or more drilled bearing cups.

DIAM.	LENGHT	SICIT CODE	UNIVERSAL JOINT TYPE	FIG
16,05	38,90	5310	LUBE FOR LIFE	1
19,00	48,00	4020	VARIOUS APPLICATIONS	3
22,00	54,00	5010	CENTRAL GREASE NIPPLE	3
22,00	58,00	5430	CENTRAL GREASE NIPPLE	3
22,00	58,90	5520	CENTRAL GREASE NIPPLE	3
23,82	61,30	1300	SIDE GREASE NIPPLE	2
23,82	61,30	1320	LUBE FOR LIFE - TP. 124	1
24,00	63,10	1340	LUBE FOR LIFE - TP. GIULIA	1
24,00	74,60	4010	LUBE FOR LIFE	1
27,00	70,00	4030	CENTRAL GREASE NIPPLE	3
27,00	81,70	5200	LUBE FOR LIFE	1
29,00	80,00	1240	CENTRAL GREASE NIPPLE	3
30,00	81,80	1380	VARIOUS APPLICATIONS	2
30,00	81,80	1380/1FOR	1 DRILLED BEARING CUP	8
30,17	92,00	4050	VARIOUS APPLICATIONS	3
30,17	92,00	5180	4 SIDE DRILLED BEARING CUPS	
32,00	86,00	5280	CENTRAL GREASE NIPPLE	3
32,00	95,60	5270	CENTRAL GREASE NIPPLE	3
32,00	106,30	1160	SUITABLE TO FIAT	2
34,00	97,00	*5170	VARIOUS APPLICATIONS	3

Sicit



UNIVERSAL JOINTS MECHANICS VARIOUS APPLICATIONS



SICIT CODE	TYPE	P	B	R	C	BRAKET	FIG
10910	2C	79,30	59,50	33,34	9,50	4 LWD	1
10800	4C	108,00	87,30	36,52	9,50	4 HWD	1
1	5C	115,06	88,90	42,88	14,26	4 HWD	1
10920	5C	115,06	88,90	42,88	14,26	4 LWT	1
10930	5C	115,06	88,90	42,88	14,26	2 HWD 2 LWT	1
10570	6C	140,45	114,30	42,88	14,26	4 HWD	1
10940	6C	140,45	114,30	42,88	14,26	2HWD 2LWT	1
10580	7C	148,40	117,50	49,20	15,85	4 HWD	1
10950	8C	206,30	174,60	49,20	15,80	4 HWD	1
10840	8,5C	165,00	123,80	71,44	15,85	4 HWD	1
10880	8,5C	165,00	123,80	71,44	15,85	4 LWD	1
10890	9C	209,62	168,28	71,44	15,85	4 HWD	1
10900	10C	212,7	165,1	92,1	25,35	4 HWD	1
3000	SM500	33,30	88,90	42,90	14,20	2HWD 2 INTERNAL CIRCLIPS CUPS	2